

AUSTRALIA



General Purpose Pressure Gauge

Our Full Stainless Steel Series of General Purpose Pressure Gauges

Offer superior quality & performance at an affordable price, designed & manufactured to minimize failure & to protect personnel & property



Our range of General Purpose pressure gauges offers superior quality & performance at an affordable price

The ASG Series of General Purpose pressure gauges guarantees long life & durability for indoor, outdoor and harsh environmental conditions. The ASG range is designed & manufactured to minimize failure and to protect personnel and property, with an emphasis on maintaining quality and accuracy within a general purpose pressure gauge. With its full stainless steel construction the ASG range is ideal for resisting chemical, weather or corrosion effects, & can be supplied dry or liquid filled when protection is required against pulsation and or vibration.

Scales are offered in standard Dual scale kPa/psi units or can be supplied in psi, bar, kPa, MHW (meter head water) kg/cm², Tons or other, custom dials are also available with red lines, coloured bands or sectors. Connections can also be offered other than the standard, details on request

Features

- Supplied Dry or Liquid Filled
- Superior resistance to Shock
- Stainless Steel Case & Bezel
- Full Stainless Steel wetted parts
- Nominal sizes (mm) 63,100,150
- Can be combined with diaphragm seals
- IP65 Degree of protection
- Highly Accurate



Applications

- Hydraulic & Pneumatic Systems
- Plant construction
- OEM Equipment
- Marine
- Power Generation
- Pumps & Compressors
- Food & Beverage
- Chemical/Petrochemical

Specifications

Range

- -100 - 0 kPa to 0 - 40,000 kPa
- Dual scale as Standard
- Can supply with Other Scales, Custom Logo

Case

- Stainless steel AISI-304 case & bayonet bezel ring
- Individual serial number for traceability

Dial

- Aluminum White face with black & red printing

Accuracy

- $\pm 1.0\%$ of full scale (NS 100 & 150mm)
- $\pm -3\%$ of full scale (NS 63mm)

Window

- Laminated safety glass

Temperature Range

- Ambient: -20°C ... +60°C (dry)
- Process: +100°C maximum

Movement

- Stainless steel AISI-304 with min. needle stop

Measuring Element

- Bourdon tube – Stainless Steel AISI-316

Neck/Thread

- 1/4 BSPT Male / Stainless Steel AISI-316 (NS - 63mm)
 - 3/8 BSPT Male / Stainless Steel AISI-316 (NS - 100mm)
 - 1/2 BSPT Male / Stainless Steel AISI-316 (NS - 150mm)
- Includes internal thread to mount restrictor screw for pulsation dampening

Pointer

- Aluminum, black

Product Selection Data

Choose your product specifications and options below to configure your product



Model	NS	Mounting		Wetted Parts		Range		Thread		Oil Fill
ASG	63	A	Direct mount bottom entry	S	Stainless Steel	01	-100 -0 kPa	1/4	1/4 BSPT	OF
	100	C	Direct mount rear entry			02	-100 -0-60 kPa	3/8	3/8 BSPT	Leave blank if dry fill
	160	S	Surface mount bottom entry(Back Flange)			03	-100 -0-150 kPa	1/2	1/2 BSPT	
		P	Panel Mount rear entry "U" Clamp fixing			04	-100 -0-300 kPa			
		F	Flush Mount rear entry "3"hole fixing front flange			05	-100 -0-500 kPa			
		06	-100 -0-900 kPa							
		07	-100 -0-1600 kPa							
	08	0 - 100 kPa								
	09	0 - 160 kPa								
	10	0 -250 kPa								
	11	0 - 400 kPa								
	12	0 - 600 kPa								
	13	0 - 800 kPa								
	14	0 - 1000 kPa								
	15	0 - 1600 kPa								
	16	0 - 2500 kPa								
	17	0 - 4000 kPa								
	18	0 - 6000 kPa								
	19	0 - 8000 kPa								
	20	0 - 10000 kPa								
	21	0 - 16000 kPa								
	22	0 - 25000 kPa								
	23	0 - 40000 kPa								

Options/Accessories for Pressure Gauges

- Red Set Pointer with Adjustment Knob
- Min or Max Pointer with Adjustment
- Reducers/Adaptors
- Snubbers with Adjustment Screw
- Pigtail or U Syphons
- Perspex Window
- Diaphragm Seals

Customised Gauges

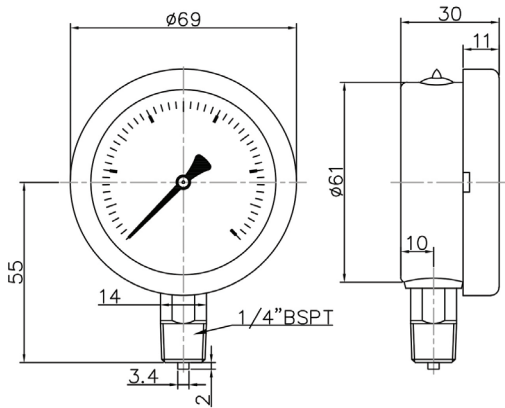
Floyd Australia specialises in customising gauges to customers' requirements from special dial markings, red lines, coloured sectors, purpose wording or company logos.

Scales can be offered in units of kPa, PSI (lb/in2), bar, mWg, ftWg, inWg, mmWg, inHg, cmHg, mmHg, KG/cm2, KN, Ton, Tonne, refrigerant, ammonia, vacuum, dual scale and other.

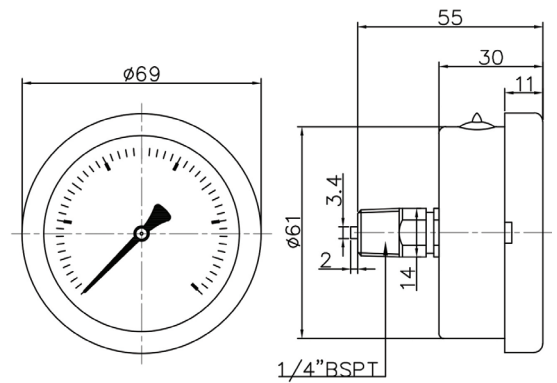
Enquire today to discuss your customized gauge requirements, with one of our friendly Customer Care team members

Dimensional Data 63mm

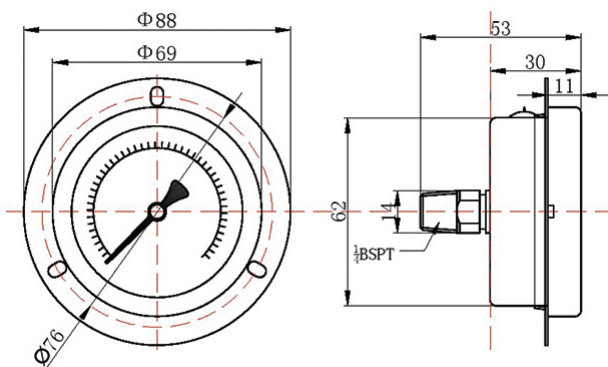
Direct mount bottom entry



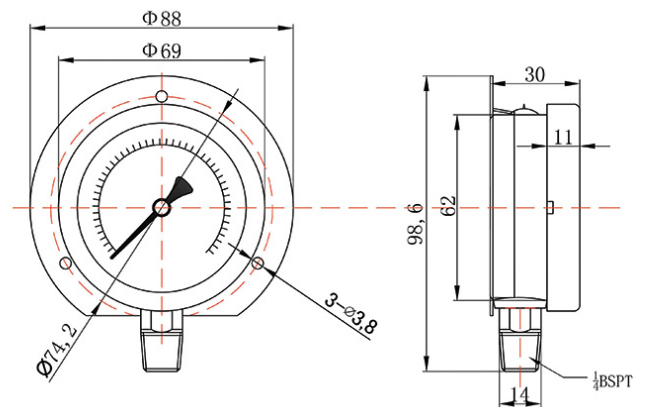
Direct mount rear entry



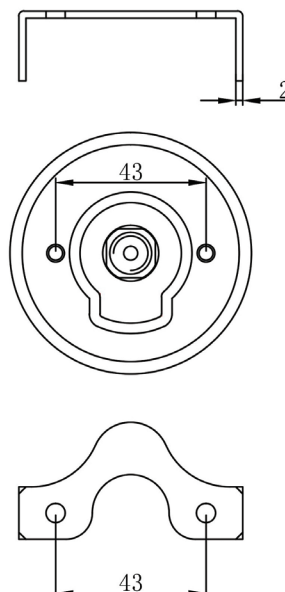
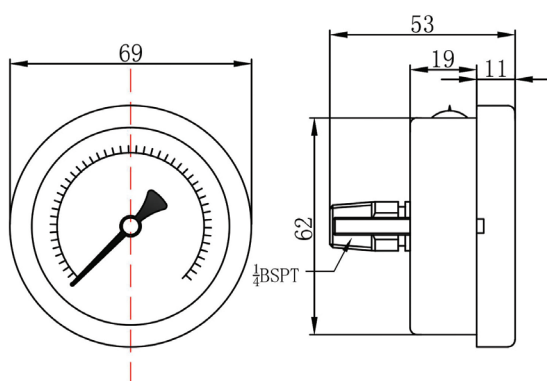
Flush mount rear entry



Surface mount bottom

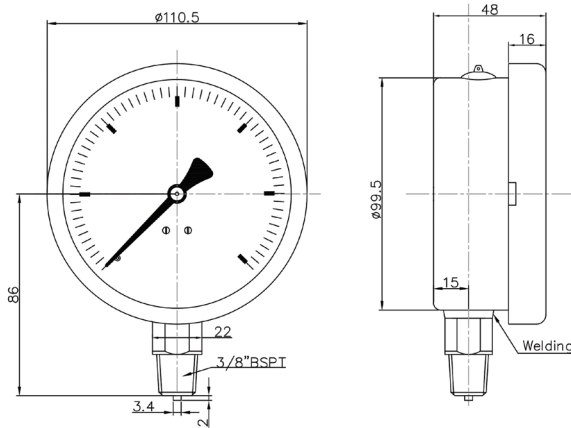


Panel mount rear entry

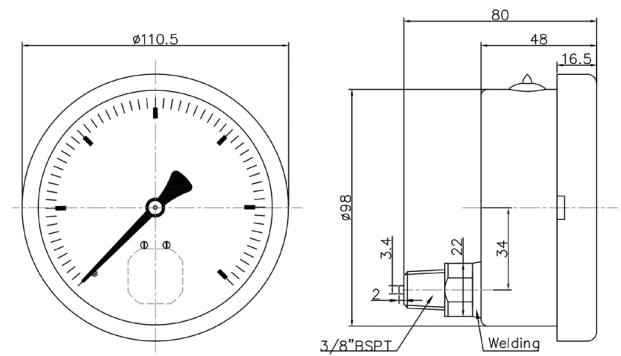


Dimensional Data 100mm

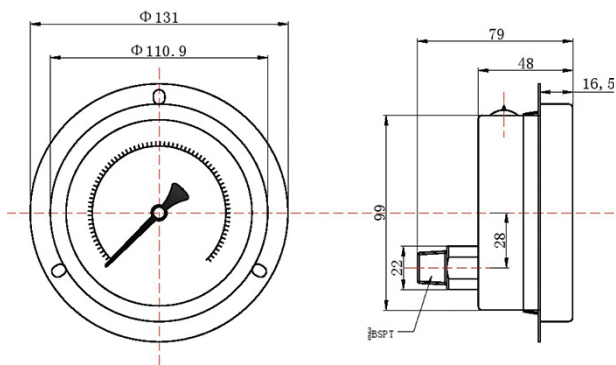
Direct mount bottom entry



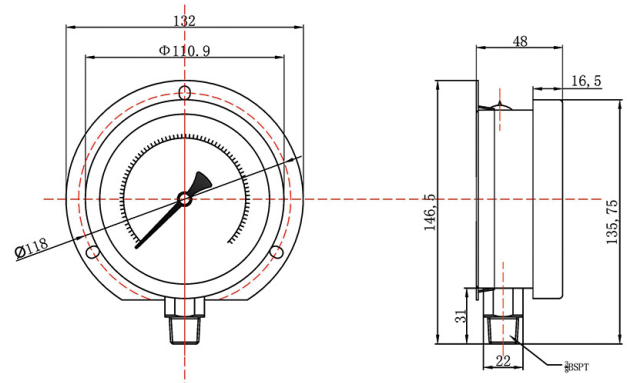
Direct mount rear entry



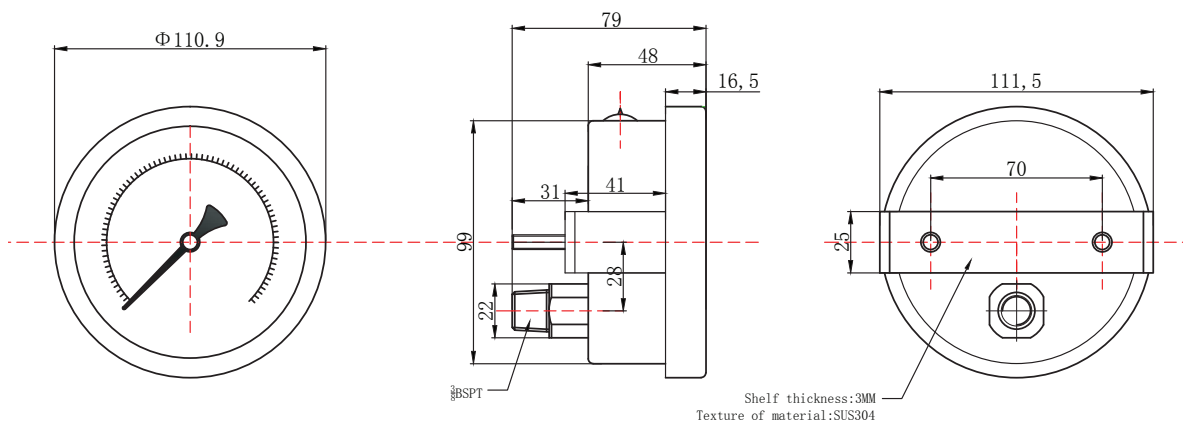
Flush mount rear entry



Surface mount bottom entry

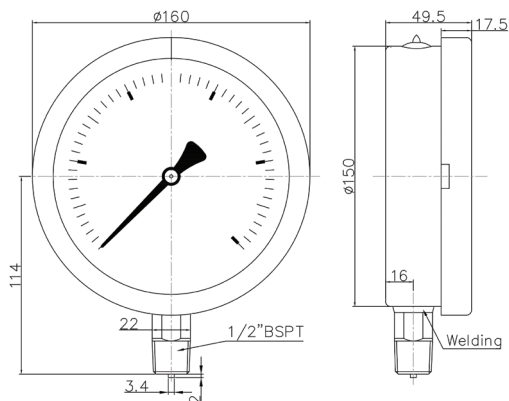


Panel mount rear entry

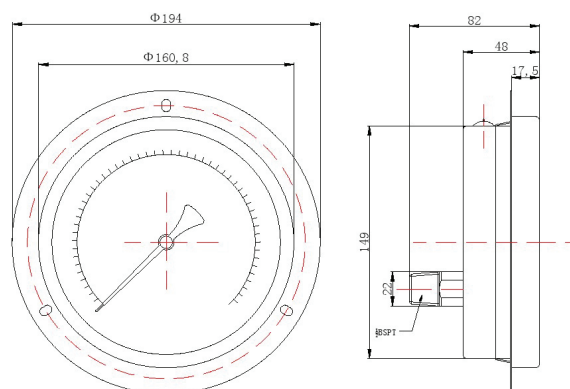


Dimensional Data 150mm

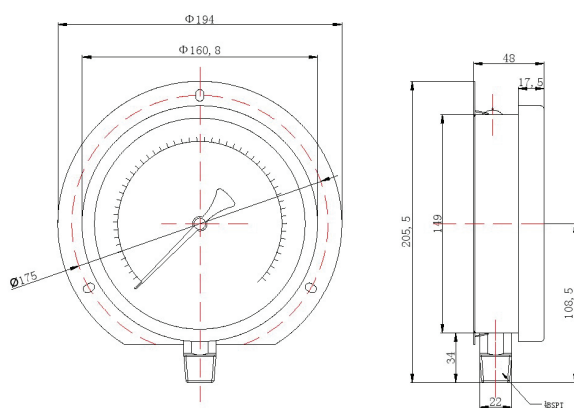
Direct mount bottom entry



Flush mount rear entry



Surface mount bottom entry



Panel mount rear entry

